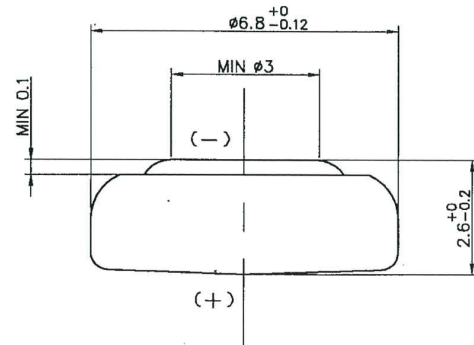


Type	: Mercury and Lead Free Alkaline Battery
Chemical system	: Zinc / Silver Oxide
Nominal voltage	: 1.55 Volts
Nominal Dimension	: Ø6.80mm x 2.6mm
Applications	: Analog watch
Average Weight	: 0.4 grams
Date Code	: Unless otherwise specified, each cell will carry a numeric year code and an alphabetical month code.
Shelf Life	: 5 years at 20°C ± 2°C 65 ± 20%RH
Close Circuit Voltage	: 1.4V(min.)(load resistor 2000Ω at 20±2°C for 0.0078 seconds
Nominal Service Life	: 478hrs (at 33k Ω load) (to 1.2V at 20± 2°C)
Average Service Capacity	: 24mAh (at 33k Ω load) (to 1.2V at 20± 2°C)

Model no.: **GP377F**



The information (subject to change without prior notice) contained in this document is for reference only and should not be used as a basis for product guarantee or warranty. For applications other than those described here, please consult your nearest GP Sales and Marketing Office or Distributors.