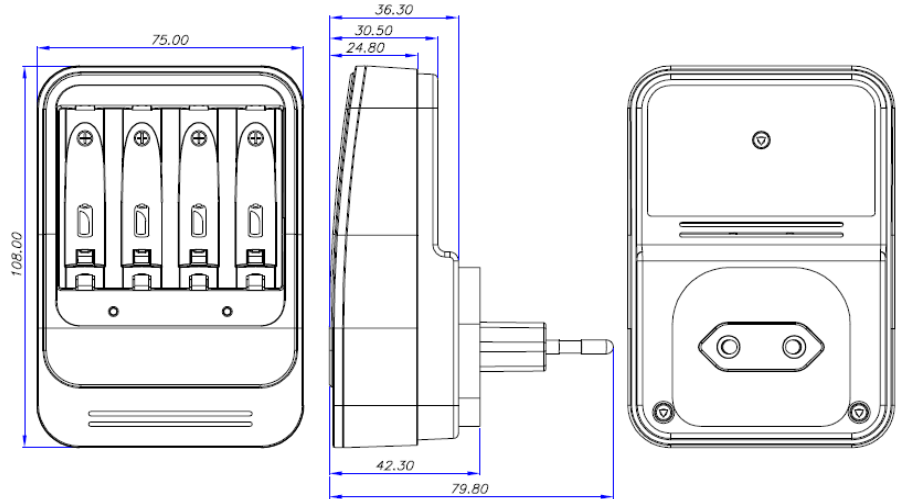


GP Batteries

Product Specification

Model no.: GPPB570



Unit : mm

Product Name	: GP PowerBank GPPB570
Description	: NiMH Battery Charger (Plug-in Type)
Input Voltage	: AC100-240V 50/60Hz
Input Power	: 6W max.
Application	: For charging 2 or 4 pcs AA / AAA NiMH batteries ; 2 pcs battery per one channel
Output Voltage	: 1.4V DC
Charging Current	: AA 400mA +/- 10% AAA 160mA +/- 10%
Trickle Charging	: AA 40mA +/- 10% AAA 40mA +/- 10%
Charging Time	:

Battery Type / Size	Capacity (series / mAh)	Charging Time (hours)
NiMH AA	2100 series ~ 2700 series (min. 2000mAh) ~ (min. 2500mAh)	5.5 ~ 7.0
	1300 series ~ 1800 series (min. 1300mAh) ~ (min. 1800mAh)	3.5 ~ 5.0
NiMH AAA	600 series ~ 1000 series (min. 600mAh) ~ (min. 930mAh)	4.0 ~ 6.5

GP Batteries

Product Specification

Model no.: GPPB570

Operation Temperature : 0°C to 40°C

Storage Temperature : -20°C to 60°C

MTBF : 30000 hours (at ambient temperature 25°C)

Termination Method : Reverse polarity protection
Primary & bad battery protection
Over temperature protection
Safety timer
Low voltage protection

LED Indication : 2 x Amber Color LED for two channels ; two channels operate individually

Condition	LED indicator
Power connected but without battery	LED Off
Charging in Progress	Slow pulsing LED
Fully charged and switched to trickle charge	LED On
Bad / Primary battery	Fast blinking LED

Dimension : 108 (L) x 75 (W) x 36.3 (H)mm

Weight : 110g (approx)

Approval : PB570GS – GS, CE
PB570BS – CE
PB570US – ETL, FCC

Compliance : RoHS and REACH

Warranty Period : 12 months from ex-factory date