



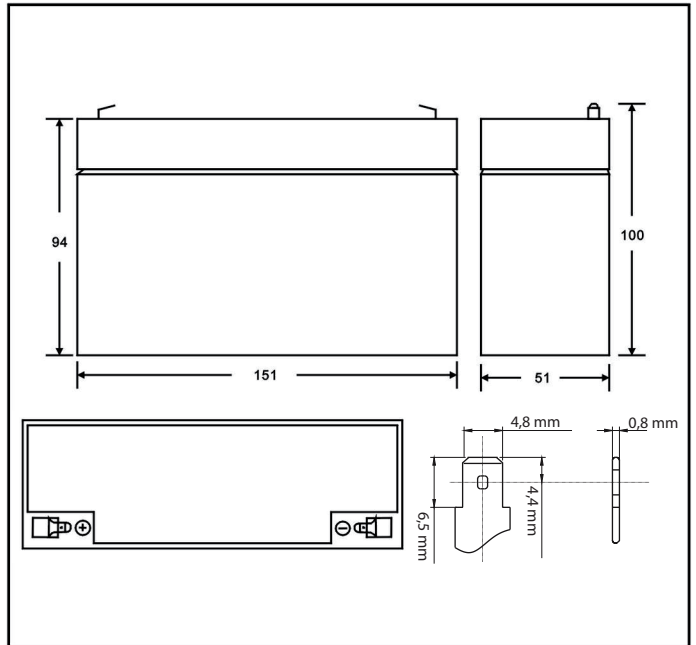
Specifications

OT 12-6		
Nominal Voltage		6V
Rated Capacity (20 hours rate)		12Ah
Dimension (±2mm)	Total Height (with terminals)	100mm
	Length	151mm
	Width	51mm
Weight (Approx)		1.81Kg

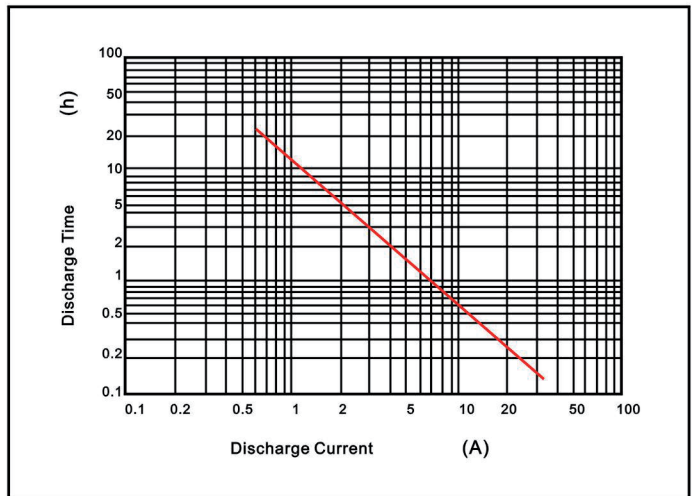
Characteristics

Capacity (25°C)	20 hours rate	(0.6A)	12.0Ah
Discharge Current Testing (25°C)	20 I ₂₀ rate 1	(12A, 27min)	38min
	60 I ₂₀ rate 3	(36A, 7min)	8.5min
Internal Resistance	Full Charged Battery 25°C		8mΩ
Capacity Affected By Temperature (20 hours rate)	40°C		102%
	25°C		100%
	0°C		85%
	-15°C		62%
Residual Capacity (25°C)	Capacity After 3 Months Storage		91%
	Capacity After 6 Months Storage		82%
	Capacity After 12 Months Storage		64%
Cycle (Above 300 Time)	Discharge 2hrs at 3.0A Current Charge 6hrs at 1.2A Current (25°C)		
Charge (Constant Voltage)	Cycle (25°C)	Initial Charging Current Less Than 3.6A; Voltage 7.25~7.45V	
	Float (25°C)	Charge Voltage 6.8~6.9V	

★ The above are average and data obtained from the first 3 charge/discharge cycles. These are not minimum values.



Discharge Current & Duration Time



Discharge Current 25°C

